

AnaJet™ PRETREATMENT BOOTH



Secrets of Good Dark Garment Printing

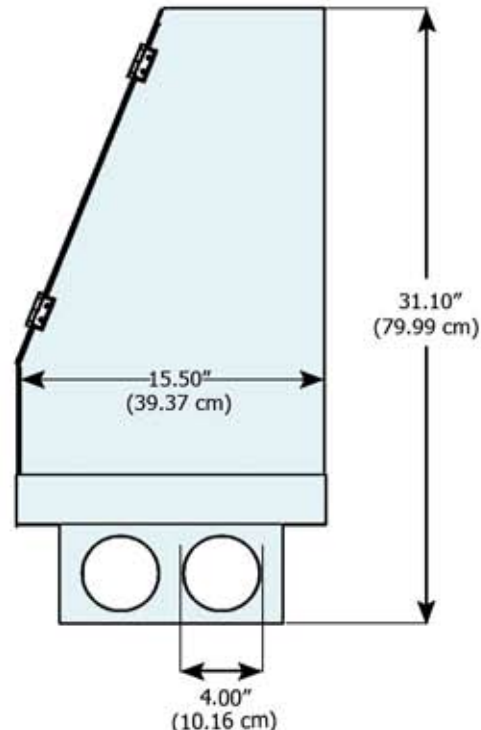
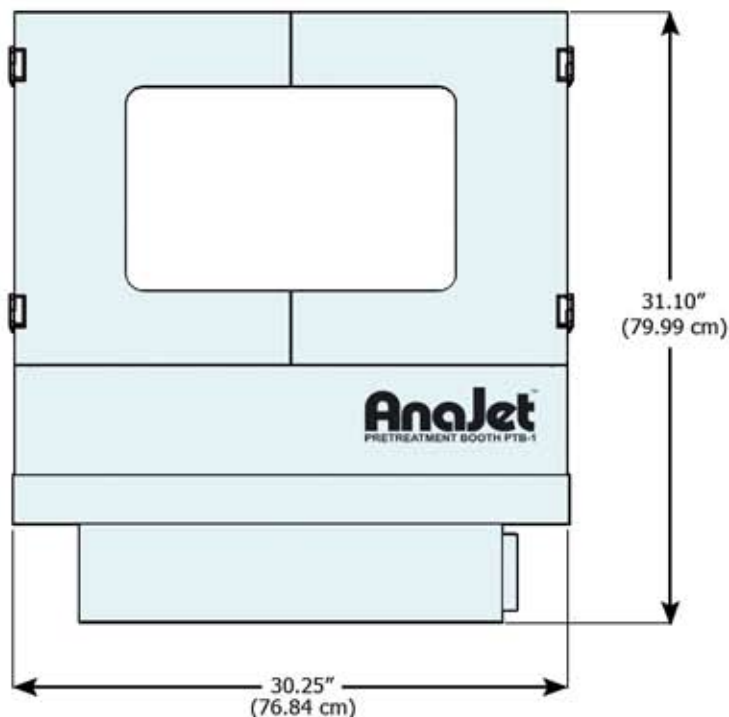
For all digital apparel printers, proper pretreatment is the key to good dark garment printing. The AnaJet Pretreatment Booth will help you apply an even and controlled spray at a modest cost. It will allow you to move the pretreatment indoors, away from wind, rain and cold. It keeps the undesirable spray mists under control, by venting outside with the provided exhaust tubes, so the operator can concentrate on spray operations.

The twin exhaust blowers force all your mists through a multi-stage filter system and then outside. Swing doors allow easy loading of garments. After spraying, garments can be dried by heat press, inexpensive flash dryer or conveyer oven. Get your pretreatment problem solved with the AnaJet Pretreatment Booth. In line with AnaJet tradition, the AnaJet Pretreatment Booth is simple, compact and effective.

www.AnaJet.com



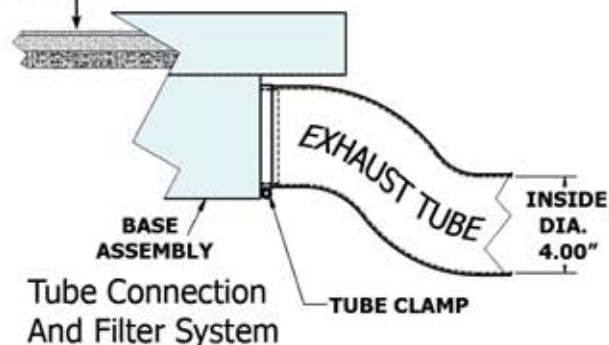
AnaJet PTB-1 Pretreatment Booth



Recommended Installation

- Placement: Within 6' to 8' from a window or vent.
- Exhaust Tubes: 6' to 8' maximum aluminum or vinyl exhaust tubes with a 4" dia. (two (2) 8' Exhaust Tubes included.)
- Control Sprayer: A Wagner HVLP Control Sprayer model # 0417004 needs to be obtained for pretreatment application. (not included.)

THREE-STAGE FILTER SYSTEM



Specifications

- Metal spray-guard hood with hinged clear polycarbonate windows
- Two (2) built in exhaust ports for external venting
- High-efficiency, replaceable three-stage filter system
- Operating environment: 61F (16C) to 95F (35C)
- Dimensions: 30.25" (76.84 cm) x 15.50" (39.37 cm) x 31.10" (79.99 cm)
- Weight: 50lbs. (22.7 kg)
- Electrical: 115VAC 60 Hz or 230VAC 50 Hz, 60-watts
- 1-year warranty (except filters)
- 6' Power Cable with On/Off switch
- Durable Powder-Coated finish
- Two (2) Ball bearing blowers: 370 CFM



Made in the U.S.A.

Your Local Distributor:

AnaJet Inc.

320 Kalmus DR.
Costa Mesa, CA. 92626 USA
Ph; (714) 662-3200
Fax; (714) 662-3600
<http://www.ANAJET.com>
info@anajet.com